

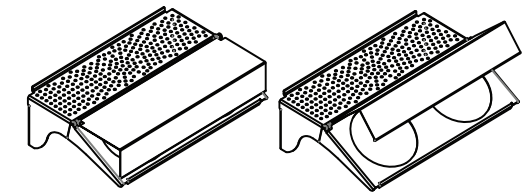
**Floraline Floralwall
FD6-88"**

The perfect end cap for your store. Constructed with display steps in the lower section and adjustable shelves on the back wall, you'll have plenty of options to show off your product. This is a refrigerated floral fixture at a classic height with full lighting.

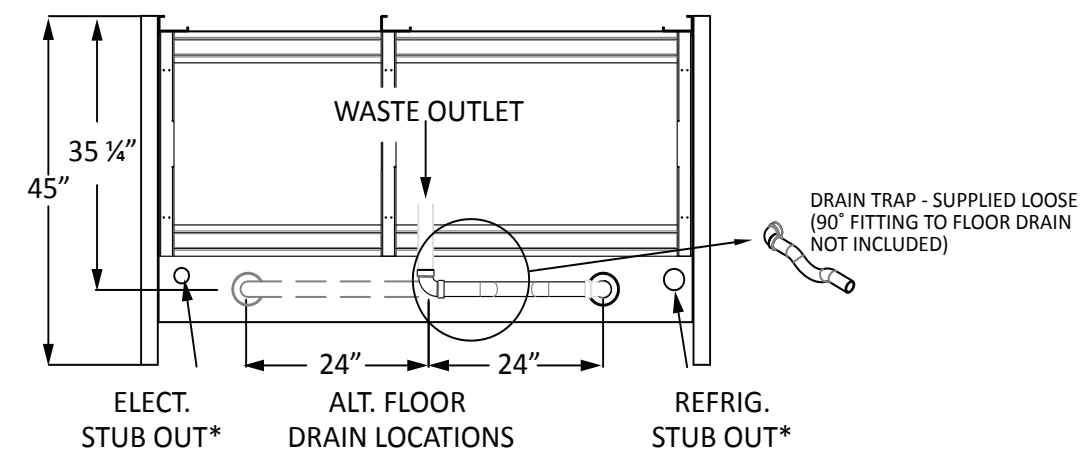
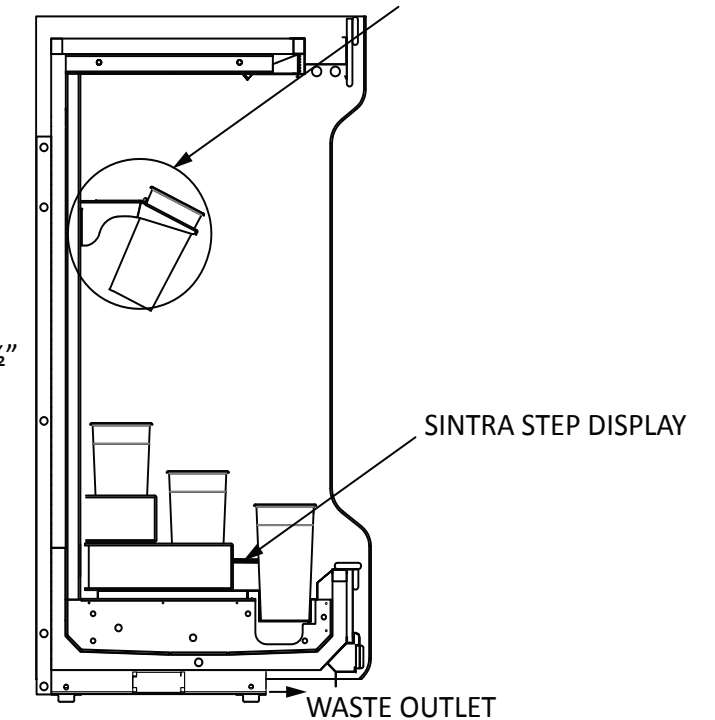
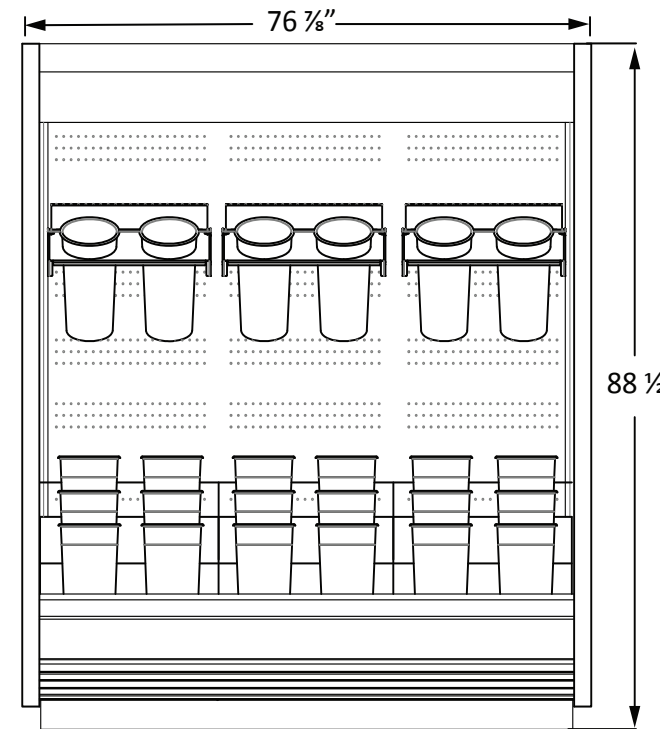
Features:

- Soft Air Flow Environment - evenly distributed floral envelope, sealed with our air curtain to simulate a closed door case.
- Consistent 36° F. air temperature.
- High Humidity - 65% to 80%.
- Polyurethane foamed in place insulation.
- Your choice of laminate and trim packages to match any color palette.
- Mirrored slat wall option allows adjustably for your shelving and creates a dynamic display.
- Shelving options - Choose our unique powder coated convertible metal shelving and have the flexibility to merchandise buckets or arrangements. You may also select our elegant tempered glass shelf.

Capacity: 18 buckets plus shelving.



CONVERTIBLE SHELVES



DRAIN TRAP - SUPPLIED LOOSE
(90° FITTING TO FLOOR DRAIN
NOT INCLUDED)

LIGHTS	1.5 AMP		FD-6 88"
FANS	0.5 AMP	115V	1PH 60HZ
H ₂ O Transformer	1.5 AMP MAX		
BTU'S@+25°F	10,416		R-404A STANDARD